

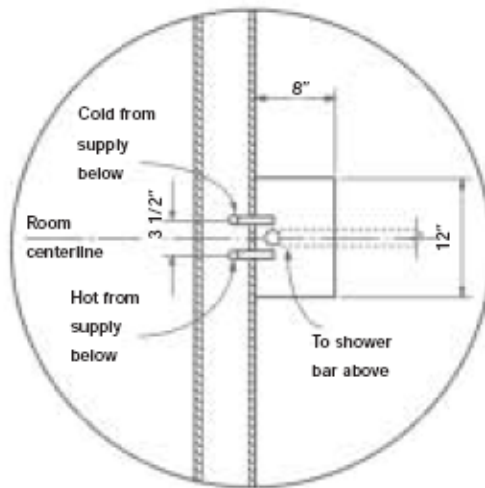


CASCADE VICHY SHOWER SYSTEM

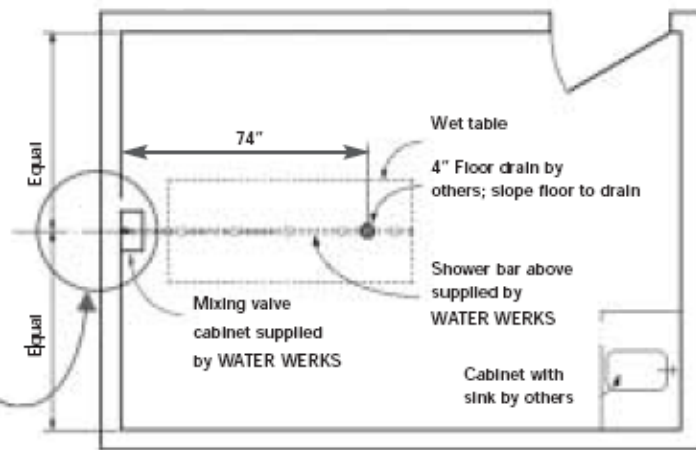
The Vichy shower is one of the most intriguing and effective treatments available for today's spa clientele. WATER WERKS Cascade Vichy Shower System gives the effect of a warm downpour on the body, one of the most relaxing and rejuvenating spa experiences.

Lying on a waterproof massage table, the Cascade's five shower heads rain down, providing a relaxing and therapeutic water massage. The built in hand shower makes thorough rinsing of spa products easy and convenient. With features like five self-cleaning shower heads, the most accurate thermostatic mixing valve available, and a durable, stainless steel construction, the Cascade will provide years of trouble free service with a timeless, elegant design.

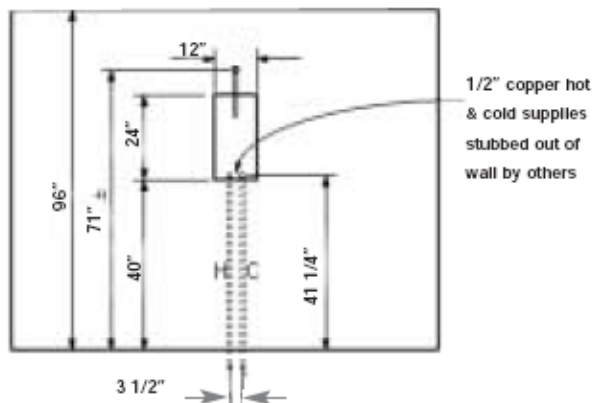
Plan Detail Of Mixing Valve Piping Rough-In



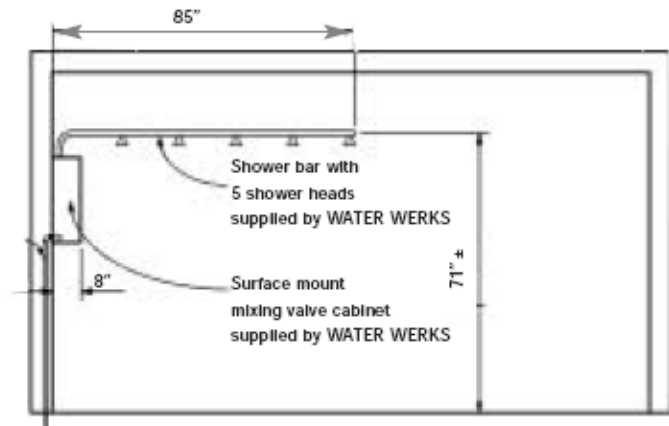
Typical Cascade Shower Room Plan



Mixing Valve Cabinet Rough-In Elevation

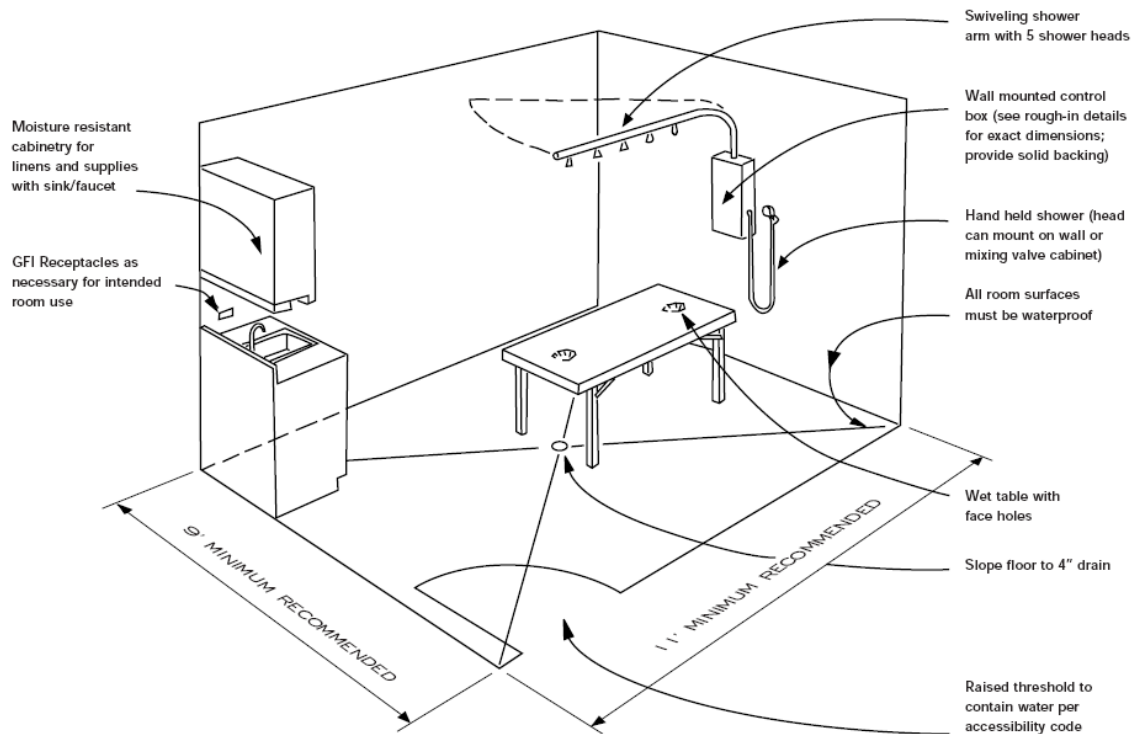


Typical Cross Section of Shower System





Typical Cascade Shower Room Layout



WaterWerks Limited 5 Year Warranty Statement

WaterWerks products are warranted to be free of defects in material and workmanship to the original domestic purchaser for five (5) years from the date of purchase as shown on the original invoice. If a defect is found, please contact WaterWerks at the phone number or email below for instructions. Defective parts or components that are covered under this warranty must be returned to WaterWerks insured and shipped pre-paid to the address shown below. WaterWerks will, at its option, repair or replace the defective part or component. This warranty does not cover labor charges, damage caused by improper installation or improper maintenance lack of reasonable maintenance as described in the product information or modifications. This warranty applies only to items that WaterWerks manufactures.

To obtain warranty service, contact WaterWerks either through your distributor, or by calling WaterWerks Customer Service Department at 952-884-9225 or by email at info@vichyshower.com. You may also write to us at WaterWerks Customer Service Department, 14323 State Road 70, Grantsburg, WI 54840. Please provide all pertinent information regarding your claim such as model, purchase date, serial number, and type of problem or defect.

There are no other express warranties on this product and ALL WARRANTIES OF MERCHANTABILITY AND WARRANTIES AS TO FITNESS FOR A PARTICULAR PURPOSE AND ANY OTHER IMPLIED WARRANTIES ARE EXPRESSLY DENIED. This warranty gives you specific legal rights, and you may also have other rights which vary from state to state.

The following specific items or components of WaterWerks equipment come with their own manufacturers warranties that vary depending on the item:

This includes the mixing valve in the WaterWerks Torrent, Typhoon, Monsoon, Cascade, Vavoom, and Splash Showers. The tub components in the WaterWerks tub products.