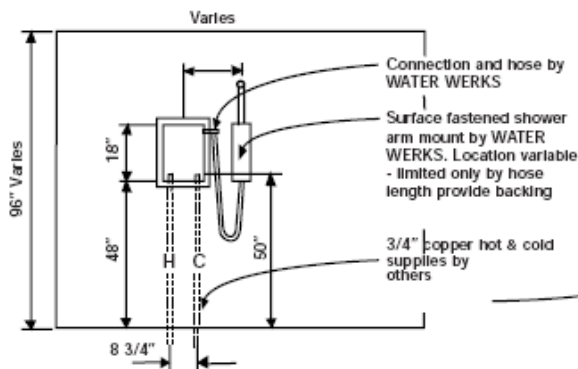




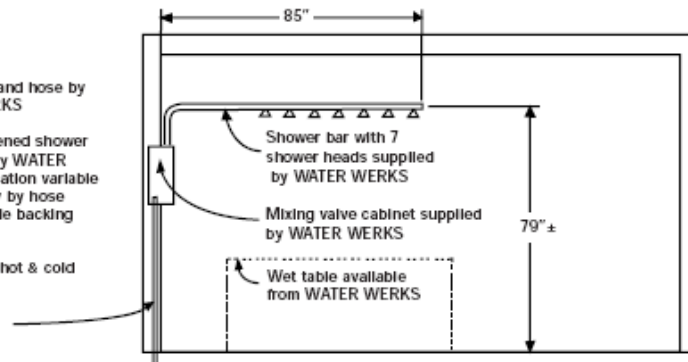
TYPHOON VICHY SHOWER SYSTEM

The WATER WERKS Typhoon Vichy Shower System is designed with your clients' specific needs in mind. The seven Shower heads deliver a complete massage, while the hand-held system gives more targeted treatment.

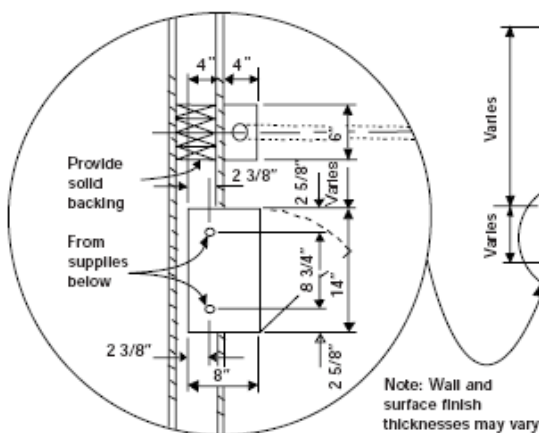
With the Typhoon System, you will be able to offer clients a total experience, from hydrotherapy to pressure-point massage. Like all WATER WERKS Showers, the Typhoon is made only with commercial-strength components, giving it the professional qualities and durability that makes all the difference.



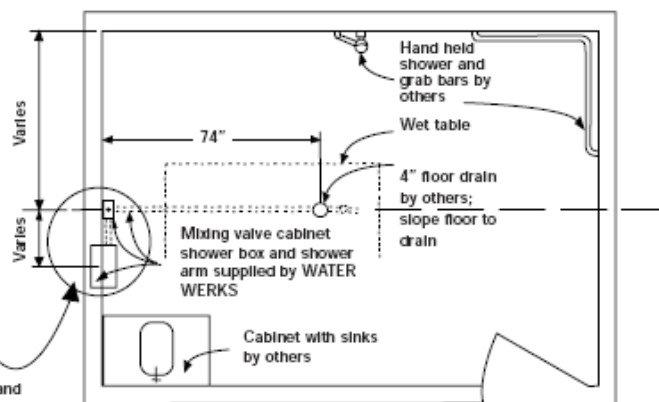
Mixing Valve Cabinet
Rough-in Elevation



Typical Cross Section
of Shower System



Plan Detail of Mixing Valve
Piping Rough-in



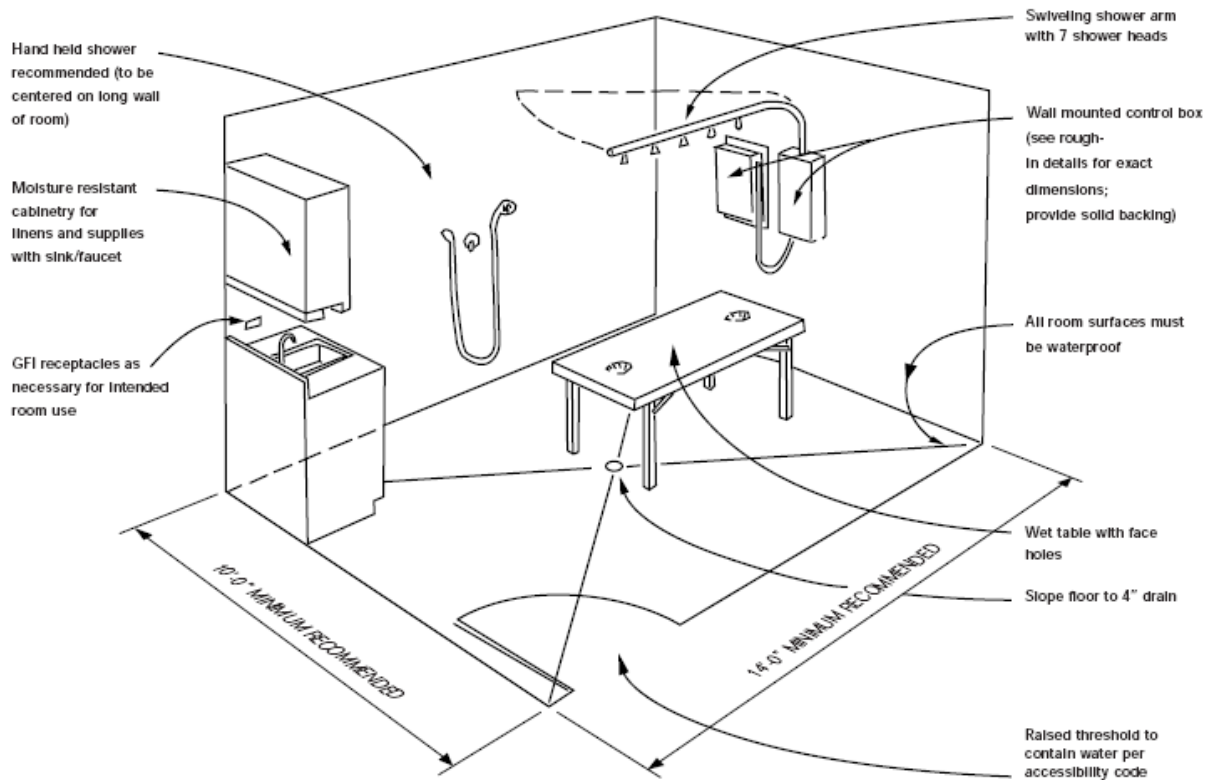
Typical Typhoon Vichy
Shower Room Plan

NOTES:

1. Room sizes/shapes and door placements vary with individual job conditions.
2. Sink may be a legal requirement depending upon project location.
3. Slope floor to drain.
4. Provide appropriate backing for secure attachment of wall mounted items.
5. Compliance with all accessibility codes is recommended.



Typical Typhoon Vichy Shower Room Layout



WaterWerks Limited 5 Year Warranty Statement

WaterWerks products are warranted to be free of defects in material and workmanship to the original domestic purchaser for five (5) years from the date of purchase as shown on the original invoice. If a defect is found, please contact WaterWerks at the phone number or email below for instructions. Defective parts or components that are covered under this warranty must be returned to WaterWerks insured and shipped pre-paid to the address shown below. WaterWerks will, at its option, repair or replace the defective part or component. This warranty does not cover labor charges, damage caused by improper installation or improper maintenance lack of reasonable maintenance as described in the product information or modifications. This warranty applies only to items that WaterWerks manufactures.

To obtain warranty service, contact WaterWerks either through your distributor, or by calling WaterWerks Customer Service Department at 952-884-9225 or by email at info@vichyshower.com. You may also write to us at WaterWerks Customer Service Department, 14323 State Road 70, Grantsburg, WI 54840. Please provide all pertinent information regarding your claim such as model, purchase date, serial number, and type of problem or defect.

There are no other express warranties on this product and ALL WARRANTIES OF MERCHANTABILITY AND WARRANTIES AS TO FITNESS FOR A PARTICULAR PURPOSE AND ANY OTHER IMPLIED WARRANTIES ARE EXPRESSLY DENIED. This warranty gives you specific legal rights, and you may also have other rights which vary from state to state.

The following specific items or components of WaterWerks equipment come with their own manufacturers warranties that vary depending on the item:

This includes the mixing valve in the WaterWerks Torrent, Typhoon, Monsoon, Cascade, Vavoom, and Splash Showers. The tub components in the WaterWerks tub products.